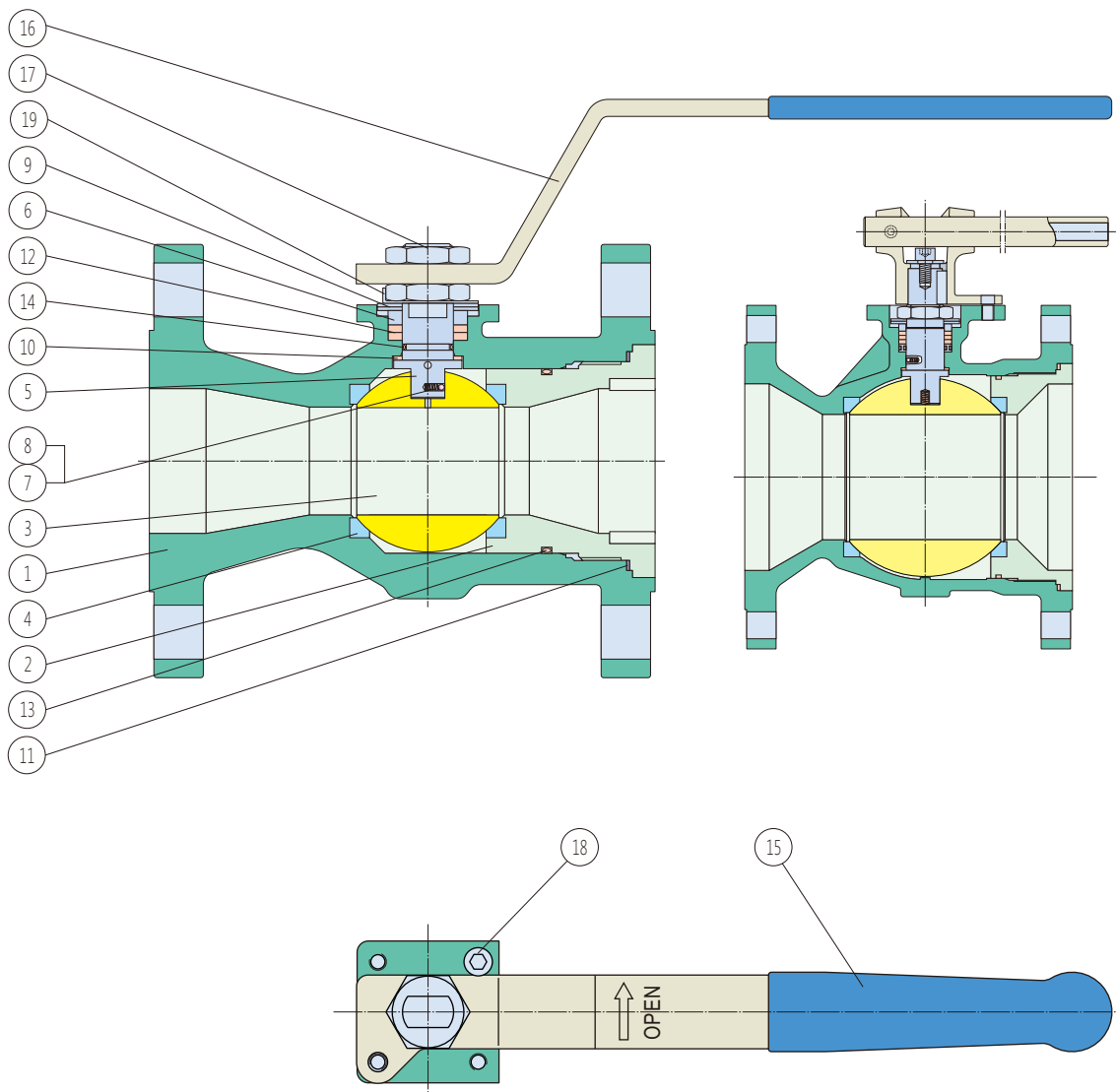


Series FR

Part number: C-FR-1504

1PC Body Cast Floating Ball Valve



Features:

- Size: 3/4"~6"
- Class: 150~300
- One Piece Cast Steel Body
- Floating Ball, Reduced Bore
- Anti-static Device
- Blow-out Proof Stem
- Fire Safe Design

Specifications

Design	ASME B16.34/API 608
Face to Face	ASME B16.10
End to End	ASME B16.10
End Flange	ASME B16.5
Test	API 598
Fire Safe Test	API 607/API 6FA
Special	NACE MR0175

Series FR

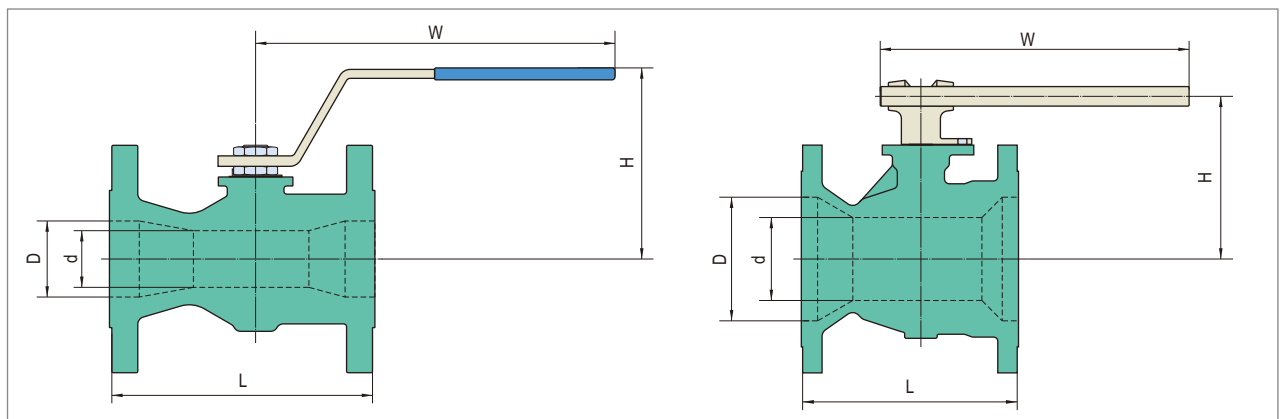
1PC Body Cast Floating Ball Valve

MATERIAL SPECIFICATIONS

NO.	PART	WCB/ENP	WCB/316	CF8M/316	LCC/316 NACE
1	Body	ASTM A216-WCB	ASTM A216-WCB	ASTM A351-CF8M	ASTM A352-LCC
2	Adapter	ASTM A105N	ASTM A105N	ASTM A182-F316	ASTM A350-LF2
3	Ball	ASTM A105N/ENP	ASTM A182-F316	ASTM A182-F316	ASTM A182-F316
4	Seat Ring	PTFE	PTFE	PTFE	PTFE
5	Stem	AISI 4140/ENP	ASTM A182-F51	ASTM A182-F51	ASTM A182-F51
6	Gland Ring	ASTM A276-410	ASTM A276-316	ASTM A276-316	ASTM A276-316
7	Steel Ball	Stainless Steel	Stainless Steel	Stainless Steel	Stainless Steel
8	Antistatic Spring	Inconel X-750	Inconel X-750	Inconel X-750	Inconel X-750
9	Dish Spring	Alloy Steel	Alloy Steel	Alloy Steel	Alloy Steel
10	Thrust Washer	PTFE	PTFE	PTFE	PTFE
11	*Gasket	Graphite	Graphite	Graphite	Graphite
12	*Packing	Graphite	Graphite	Graphite	Graphite
13	*O-ring	Viton	Viton	Viton	Viton
14	*O-ring	Viton	Viton	Viton	Viton
15	Lever Cover	Plastic	Plastic	Plastic	Plastic
16	Lever	Carbon Steel	Carbon Steel	Carbon Steel	Carbon Steel
17	Nut	Carbon Steel	Carbon Steel	Stainless Steel	Carbon Steel
18	Position Screw	Carbon Steel	Carbon Steel	Stainless Steel	Carbon Steel
19	Locking Washer	Stainless Steel	Stainless Steel	Stainless Steel	Stainless Steel

* **Recommended** Spare Parts

DIMENSIONS AND WEIGHT



Class 150						
Size in	d mm	D mm	L mm	H mm	W mm	Weight Kg
3/4	13	19	152	89	160	2
1	19	25	165	90	160	3
1-1/2	25	38	191	106	240	5
2	38	51	216	131	240	8
3	62	76	283	160	400	16
4	76	102	305	186	400	26
6	102	152	403	284	500	41

Class 300						
Size in	d mm	D mm	L mm	H mm	W mm	Weight Kg
3/4	13	19	152	89	160	3
1	19	25	165	90	160	7.2
1-1/2	25	38	191	106	240	9
2	38	51	216	131	240	11
3	62	76	283	160	400	30
4	76	102	305	186	400	37
6	102	152	403	284	500	108